

FUJIFILM

DRY MINILAB
Frontier-S DX 100
MOBILE EVENT CASE

MAXIMIZE YOUR BUSINESS OPPORTUNITIES

01

Versatile and easy to transport

02

State-of-the-art compact case

03

Designed exclusively for Frontier-S DX 100 printers

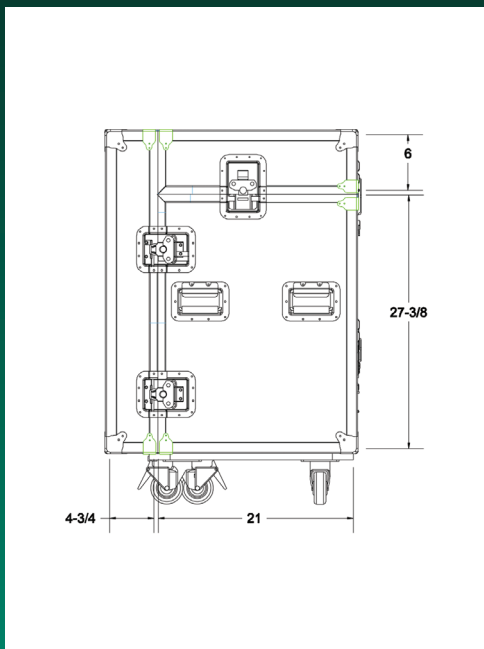


Profit from Event Photography!

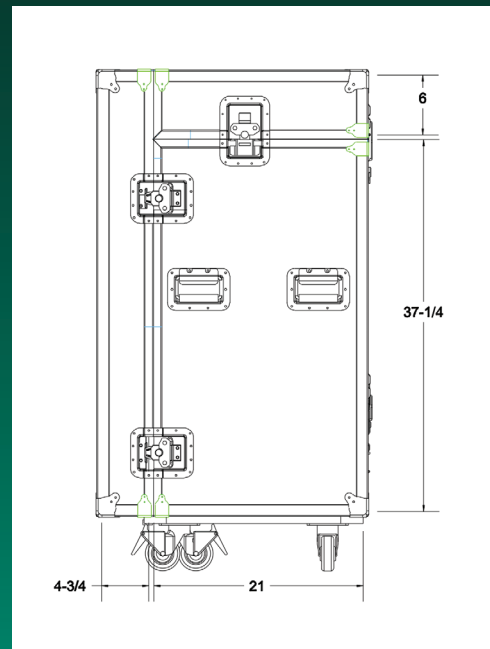


FUJIFILM's event photography system is perfect for photographers and retailers who wish to expand their business to provide high quality images at events. This system allows you great flexibility and versatility - very compact, portable and easy to set up. Single and dual event cases are available for DX 100 printers, and can accommodate a Lenovo Tiny or equivalent computer, 22" View Sonic monitor or equivalent.

- 1 Versatile & easy to transport
- 2 Built exclusively for Fujifilm by the renowned Calzone Case Co.®
- 3 Durable locking caster wheels
- 4 Top lid locks open securely holding the monitor in place
- 5 Pull out drawer for easy access to printer
- 6 Rear lower panel for easy wire access



Fujifilm Single Printer Mobile Event Case



Fujifilm Dual Printer Mobile Event Case